

# LINETHROWER

- For operation in the most extreme weather conditions

Product no.: MA50000161 (Extra rocket: MA50000195)

## Application

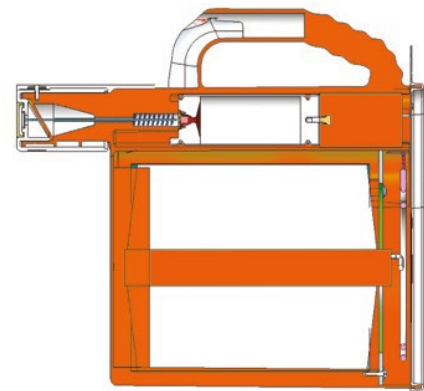
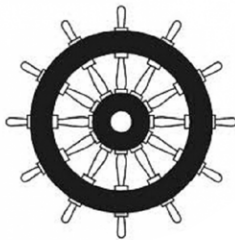
The Linethrower 250 is designed for ease of operation in the most extreme weather conditions. It can be used in all situations where a line is required to be passed accurately and quickly, these include:-

- All line-throwing operations at sea between vessels, ship-to-shore, shore-to-ship and shore based rescue services.
- Rescue of swimmers in distress.
- Line carrying across obstacles and rough terrain.

## Specifications

Projects line to nom. range of 250m in calm conditions.

- Length: 33 cm (13.0")
- Height: 31.3 cm (12.3")
- Diameter: 20.5 cm (8.1")
- Gross Weight: 4.7kg (10.36 lb.)
- Net Weight: 4.4 kg (9.7 lb.)
- Rocket Weight Max: 535g (18.9 oz.)
- Explosive Content Max.: 106g (3.74 oz.)
- Line breaking strain: >2 kn



## Operation

1. Wear Personal Safety Equipment (gloves, glasses, ear protection, helmet).
2. Remove the front cover and point in the desired flight direction.
3. Pull out safety pin.
4. Aim over the top of target. Be prepared for recoil.
5. Turn grip to left or right to fire.
6. If misfire occurs hold unit in firing position for at least 60 seconds, then dispose of overboard.



## Storage

This compact appliance is ideally stored in a water-resistant locker at ambient temperature allowing easy access in an emergency. The set of 4 appliances normally carried onboard can be dispersed in strategic positions throughout the vessel.

## Approvals

Conforms to: BAM 0589-P2-0016 (Complete Unit), 0589-P2-0094 (Rocket only), SOLAS 74 as amended, IMO resolutions MSC. 81(70) Part 1, (MED) 96/98/EC, BGV 424. 002, USCG - and other major maritime authorities worldwide.



### WARNING

- Produces red hot flame - do not point at people
- Do not fire in a confined space
- Keep out of reach of children

- Only for emergency use at sea
- If damaged or dented do not use
- Do not dismantle
- Keep away from source of heat
- Do not use after expiry date

### DISPOSAL

Pyrotechnics must be treated as hazardous items and must be disposed of responsibly in accordance with local regulations.