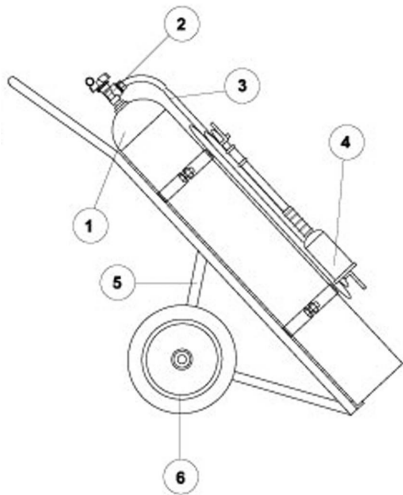


Fire Extinguisher K20U

Wheeled fire extinguisher with CO2 extinguishing agent



Prod. no.: K20U-CE

Extinguishing agent:CO2
Nominal charge:18 kg
Jet length:3 mt at +20°C
Discharge time:23 sec. at +20°C

1: Vessel

Diameter:202 mm
Volume:22 l
Min. thickness:3.2 mm
Material:35 CrMo 4 Steel
Working pressure:55 bar at +20°C
Test pressure:250 bar
Burst pressure:450 bar

2: Handwheel valve Ø 3/4" complete with:

Safety disc set at 185 bar +/- 15
Valve body:Brass

3: Discharge hose

Length:3 metres
Diameter:13 x 21 mm
Burst pressure:450 bar
Material:Wire braided rubber

4: Discharging apparatus

Horn:Polypropylene
Ball valve 3/4"Plastic

5: Trolley

Material:Carbon steel

6: Wheels

Diameter:300 mm
Material:Hard rubber/PVC

Overall dimensions

Height:950 (1,240) mm
Depth:1,000 (655) mm
Width:505 mm
Weight:60 kg
Numbers in parenthesis indicate dimensions of extinguisher in vertical position)

Painting cycle

Deep sandblasting Epoxy powder painting:50 µm
Colour:Red RAL 3000

Lotek - Fire Extinguisher K20U - 120112



- et selskab i GD-Gruppen

Lotek A/S, Bohrsvej 7, DK-8600 Silkeborg, Tel. +45 70 13 52 00, Fax +45 86 80 32 39, www.lotek.dk, mabe@lotek.dk

